

# 2Grid CommPack PQS6

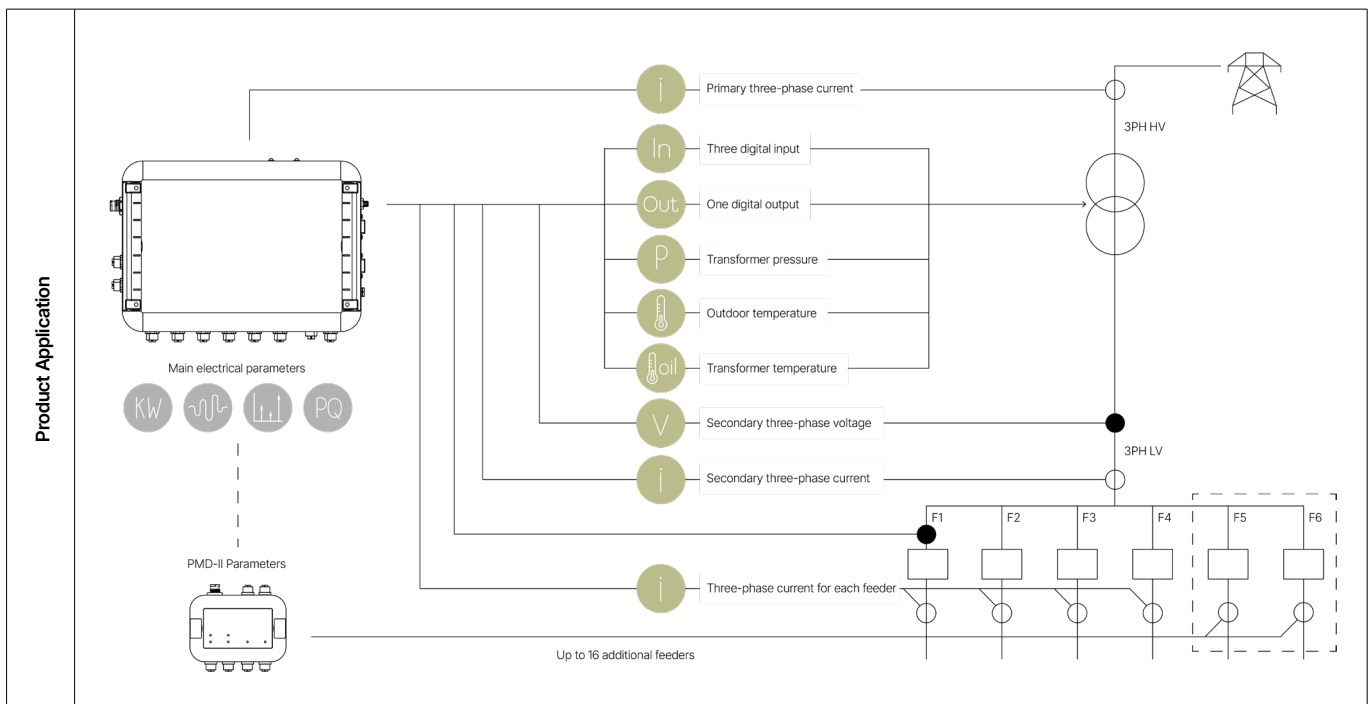
## No lock-in EDGE hardware. Open platform for any protocol or application

2Grid CommPack+ PQS6 is a high-performance EDGE monitoring device for LV secondary substations. Designed according to IEC 61000-4-30 Class S, it combines advanced Power Quality measurement with a virtualized RTU and an open platform capable of running third-party applications.

Built on a No Lock-In principle, it integrates seamlessly with any protocol or application, ensuring reliable, scalable, and vendor-independent digitalization. With 2Grid Bridge modules, it scales up to 22 feeders, creating a robust ecosystem ready for the future of smart grids.

Among other functions it includes:

- Power Quality Class S (according to IEC 61000-4-30).
- Virtualized RTU enabling flexible integration.
- Open EDGE platform to run third-party applications directly on the device.



2Grid CommPack+ PQS6 Technical Specifications Chart	
Metrics and Calculations	Primary & secondary three-phase current measurement (up to 22 three-phase current measurement adding bridge accessories)
	Neutral current measurement: direct, calculated and homopolar
	Three-phase secondary voltage measurement
	Derived electrical magnitudes calculation: power, power factor, $\cos\Phi$ , active/reactive/apparent power, quadrant-based active energy, symmetrical components, frequency
	Total harmonic distortion (THD) calculation up to the 41st harmonic (21st odd)
	Electrical parameter logging
	Power quality class S according to IEC 61000-4-30, measuring the following parameters: voltage frequency, supply voltage amplitude, flicker, supply voltage dips and surges, power supply interruptions, supply voltage imbalances, voltage harmonics, voltage interharmonics, over-under deviation.
	Oil temperature and pressure measurement or transformer chasis temperature

Safety Features	High cybersecurity standards		
	Encrypted communication protocols: HTTPS (API/WEB), MQTTS, MODBUS TCP TLS, IEC 60870-5-104		
	Configurable alarms: Overload, short circuit, power failure, oil pressure & temperature, external temperature, digital I/O alarms, user-defined alarms		
	Degree of ingress protection (IEC 60529)	IP65 and IP67	
	Pollution degree	PD3	
	Ratings of insulation of external circuits	Power supply CAT IV 300V / Other ports CAT IV 150V	
	Overvoltage category	CAT IV 300V	
Environmental and Installation Conditions	Installation location	Outdoor	
	Altitude	2000 m	
	Temperature	-20°C up to +55°C	
	Relative humidity	0% up to 97%	
	Main supply voltage fluctuations	View supply voltage range	
Device Features	Quick and easy installation with pre-wired connectors		
	Custom factory configuration option		
	Supply voltage	90...480V AC	
	Frequency	50/60 Hz	
	Power rating	12VA	
	Description of all inputs and outputs	1 x 3PH power supply and voltage measurement / 1 x 3 digital inputs + digital output / 1 x analog sensors interface / 1 x bridge interface (RS485) / 1 x ethernet port / 1 x GNSS antenna / 1 x LTE Antenna / <b>PQS6</b> : 6 x 3PH current metrology	
	Dimensions (mm)		2Grid CommPack+ PQS6
		A	303
		B	212
		C	65
Weight (kg)	1,3		
Comms & logging	4G-LTE mobile communication		
	Internal web server for monitoring and configuration		
	Event logging and statistical data storage		

