

# Smilics Technologies® Product List 2024

**Wibeee**

# Contents

## Smilics Technologies® Product List 2024

_____	<b>3</b>
_____	5
_____	6
_____	8
_____	9
_____	10
_____	13
_____	16
_____	19
_____	22

_____	<b>25</b>
_____	<b>28</b>

wibeee  
smilics

A man with a beard and sunglasses is looking down at a smartphone he is holding in his hands. The background is a blurred, modern interior with geometric shapes. The text "the trick is the click" is overlaid on the left side of the image.

the trick is the **click**

## Wibeee Solution

Truly energy monitoring



Wibeee meters collect information about your information of your home or business electricity consumption to help you make decisions and **save on your bill**.

**All information** just a few clicks away from anywhere, in real time and **without complications**.

### Accessing data from anywhere

Electricity consumption data measured by Wibeee is sent over Internet to a secure location accessible via Wibeee Nest platform. Wi-Fi, NB-IoT (SIM card) or Ethernet communication depending on the model. Ethernet depending on model. Instant data accessible from the local network via ModBus TCP.

### Easy installation without interruption of power supply

Wibeee meters are designed to be installed easily, quickly and without tools. Find out what's going on in your electrical system in only few minutes.

### Disaggregated consumption by Artificial Intelligence

One house, one meter. Wibeee system identifies electrical footprint of certain household appliances and deduces their electricity consumption without the need to install additional meters on each appliance.

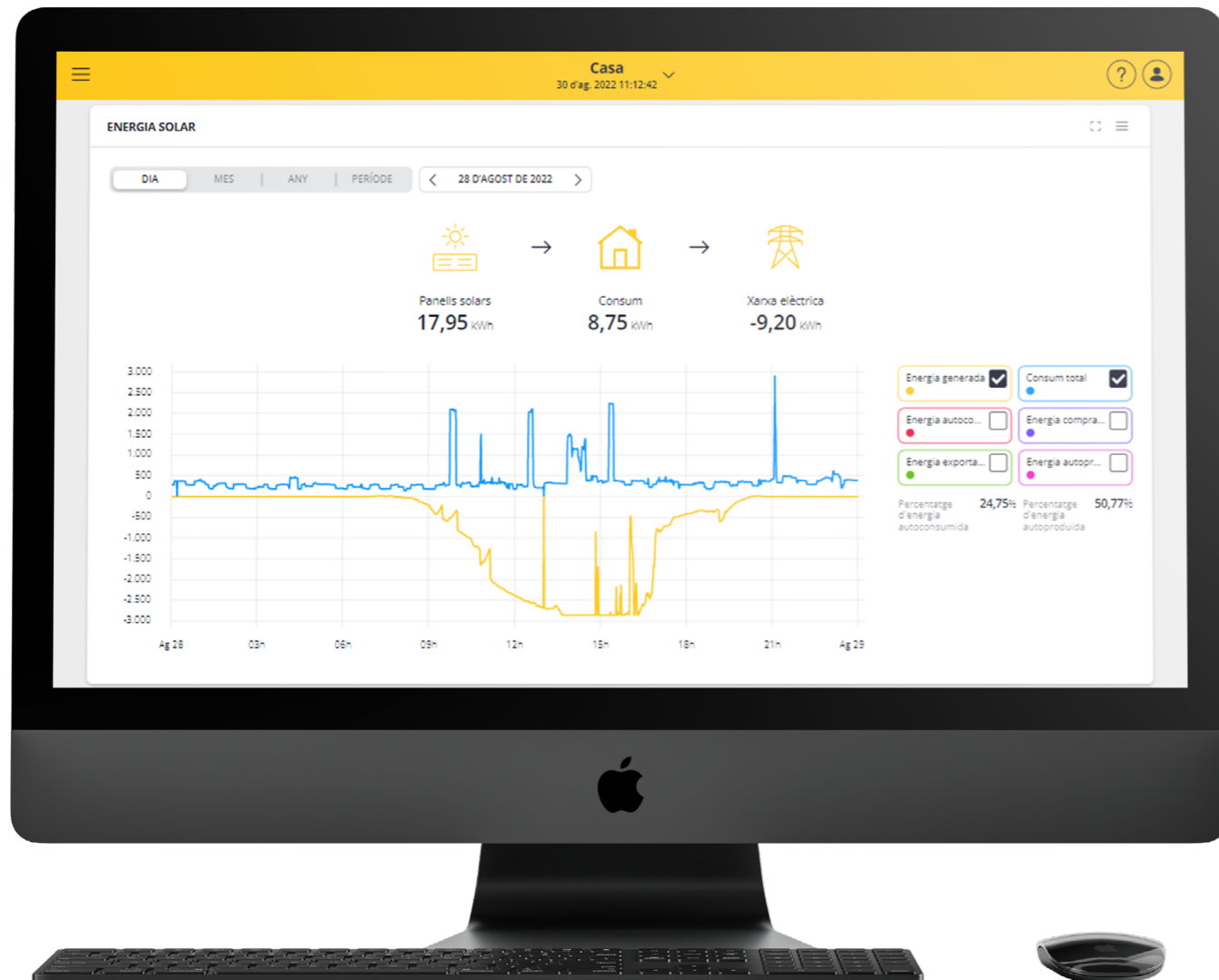
# Wibeee Nest

## Energy consumption management platform

Read data collected with Wibeee meters through Wibeee Nest platform. Each Wibeee device includes a 4-year license to use all features of Wibeee Nest platform.

Access Wibeee Nest from your favorite device via mobile app or web browser at your convenience.

Wibeee Nest offers a wide range of features to help you manage and track energy consumption from domestic to industrial spaces.



Available for IOS and Android

### Photovoltaic system analysis

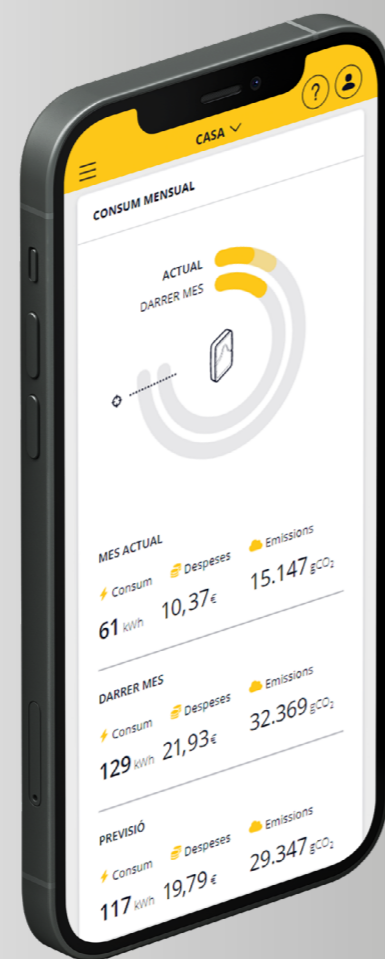
Know how you are using your solar production at any moment. Discover your self-consumption and independence from the grid.

Wibeee meters are bidirectional: check what you purchase from the grid and your bill's surplus compensation.

### Designed for professionals

Supervise all your installations from an administrator space. Configure your customised alarms and be the first to know about any anomaly.

Set your consumption targets and act on any deviations to avoid unexpected expenses on your bill.



Night mode available to reduce mobile phone battery consumption and eye fatigue.

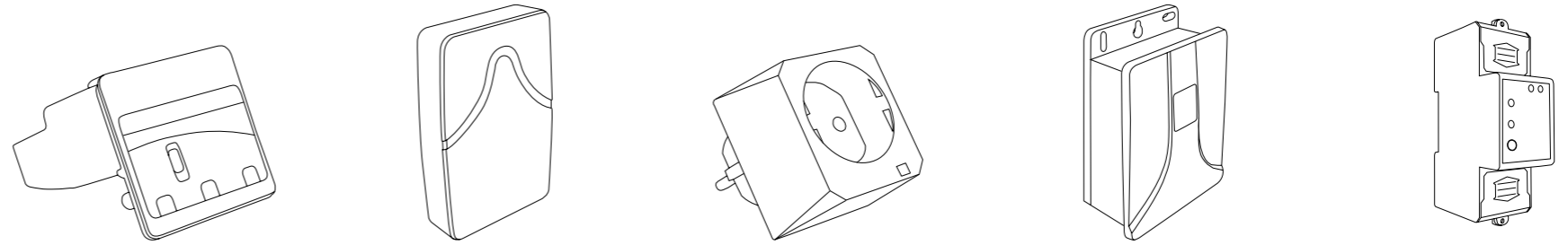


## Wibeee Devices



# Wibeee Devices Selection Guide

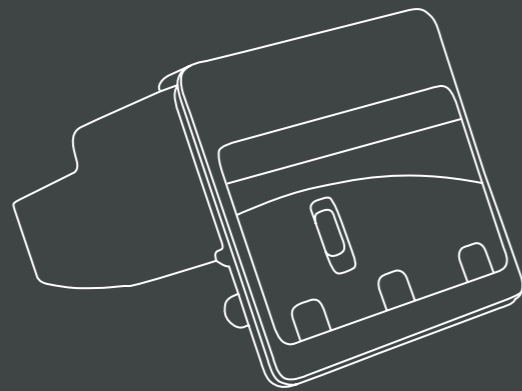
Energy solutions for every energy need



	<b>One</b>	<b>Box</b>	<b>Plug</b>	<b>Max</b>	<b>Connect</b>
Installation	Single / Three	Single / Three	Single-phase	Three-phase	Single-phase
Power supply	2-4W 85 - 265 V 3W 105 - 440 V	85 - 265 V	100 - 240 V	100 - 400 V	110 -265 V AC
Electrical features Measurement range	2-4W 85 - 265 V 3W 105 - 440 V	100 - 460 V	100 - 240 V	85 - 750 V	110 -265 V
Current max.	63 A	60 / 100 / 300 A	10:00 AM	700 / 5kA	63 A
Consumption	2-4W 1.5 - 4.5 V 3W 3.5 - 5.5 V	1.5 - 4.5 VA	1.5 - 4.5 VA	4.5 - 9 VA	1.5 - 4.5 VA
Accuracy	2 %	1 %	1 %	1 %	0.5 %
Communication Wi-Fi	■	■	■	■	■
NB-Iot	□	■	□	■	□
Firmware (Fota) Remotely Updatable	■	■	■	■	■

## Wibeee One

One piece, wireless and friendly-user installation



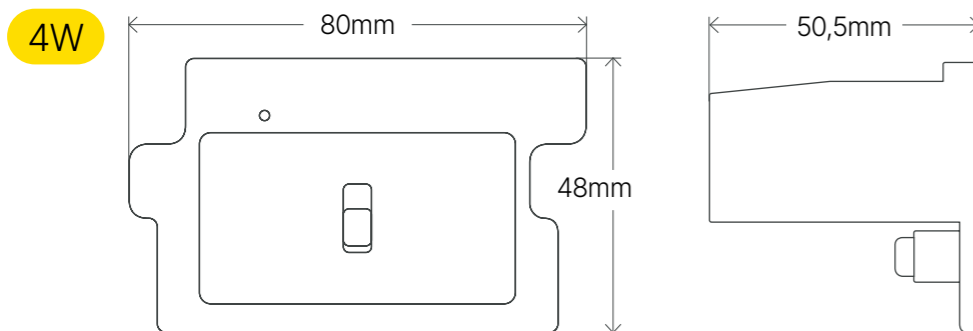
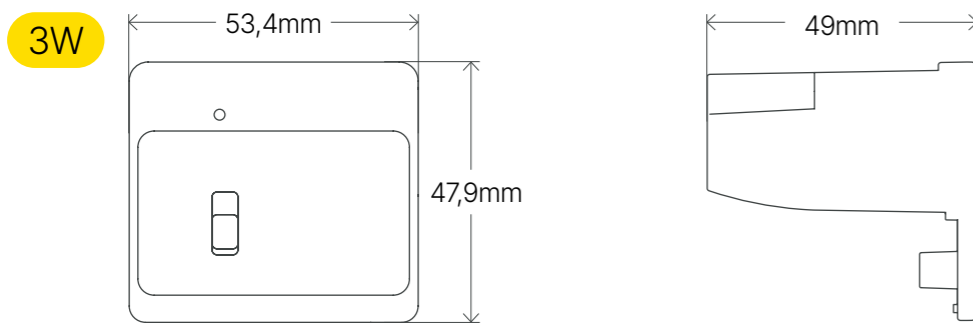
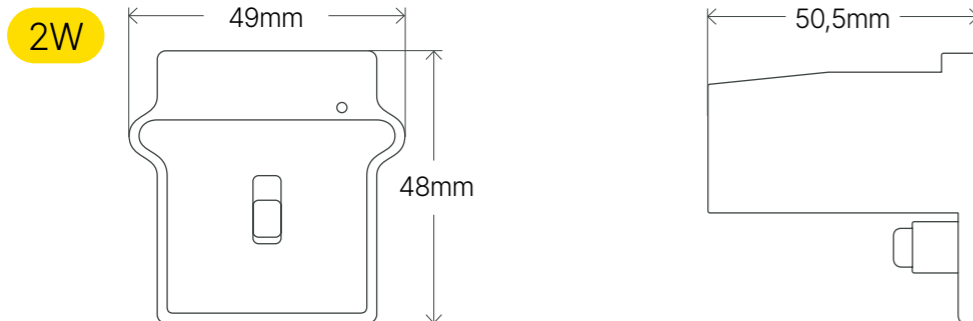
- Real-time measurement.
- Easy "Clip-on" installation.
- Single-phase and three-phase measurements.
- Storage of historical data in local mode for up to one month in case of loss of internet connection.

Wibeee One are the most compact electricity meters on the market and have a patented design for easy "clip-on" installation.

Once installed, the meter is completely concealed and integrated into the electrical panel, making it ideal for protection against tampering or removal.

# Wibeee One

## Dimensions



# Wibeee One

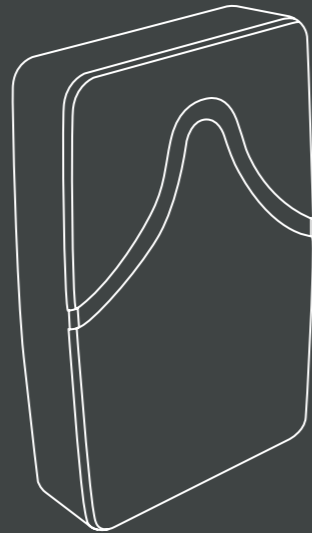
## Technical features

Measurement circuit	2W	3W	4W
Installation	Single / Three	Three-phase	Single / Three
Power supply	85-265V L-N	105-440V L-L	85-265V L-N
Frecuency range	50 - 60Hz	50 - 60Hz	50 - 60Hz
Power consumption	1.5 - 4.5 VA	3.5 - 5.5 VA	1.5 - 4.5 VA
Nominal current	63 A	63 A	63 A
Voltage accuracy	2% (PF = 1)	2% (PF = 1)	2% (PF = 1)
Current accuracy	2% (PF = 1)	2% (PF = 1)	2% (PF = 1)
Power accuracy	4% (PF = 1)	4% (PF = 1)	4% (PF = 1)
Physical and environmental features	2W	3W	4W
Weight	18 g	64 g	52,9 g
External material	Self-extinguishing UNE 21031 90°C V0		
Operating temperature	-10 to 45°C		
Storage temperature	-40 to 85°C		
Relative humidity	10 - 90% (non-condensing)		
Protection rating	IP40		
Communications	Wi-Fi		
Type	Wi-Fi (IEEE 802.11)		
Protocol	HTTP, Modbus TCP, XML		
Frecuency range	2,405 - 2,480 GHz		
Encryption	AES128		
Certification	FCC (USA), IC (Canada), ETSI (Europe)		

# Wibeee One

## SKU codes

<b>Code</b>	<b>Description</b>	<b>Installation</b>	<b>Communication</b>
0800042	Wibeee One 2W	Single-phase	Wi-Fi
0800021	Wibeee One 3W	Three-phase	Wi-Fi
0800008	Wibeee One 4W NL	Three-phase NL	Wi-Fi
0800007	Wibeee One 4W NR	Three-phase NL	Wi-Fi



## Wibeer Box

Excellent for homes and small businesses

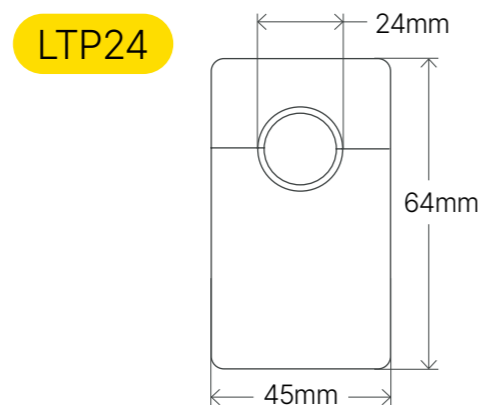
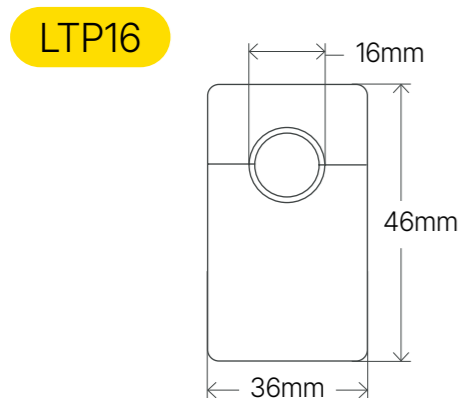
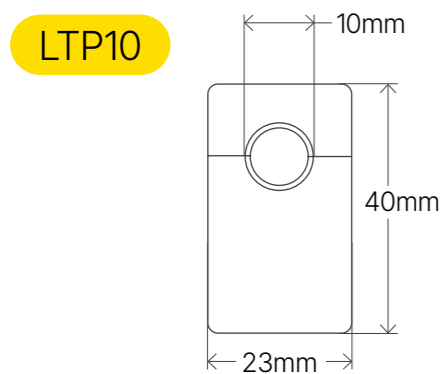
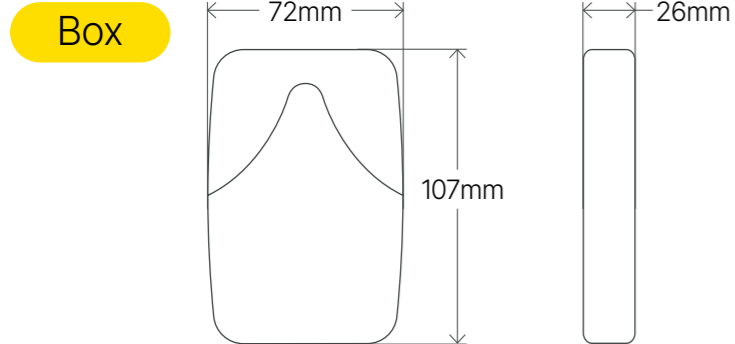


- Real-time measurement.
- Easy installation.
- Single-phase and three-phase measurements.
- Storage of historical data in local mode for up to one month in case of loss of internet connection.
- The most versatile device, a universal solution

Wibeer Box allows the connection of three current sensors to measure the consumption of the general circuit and up to two auxiliary sensors. It accurately monitors solar production or the most relevant consumptions such as electric vehicles or aerothermal energy.

# Wibeee Box

## Dimensions



# Wibeee Box

## Technical features

<b>Measurement circuit</b>	<b>LTP10</b>	<b>LTP16</b>	<b>LTP24</b>	
Installation	Single-phase / Three-phase			
Power supply	85 - 265V			
Frequency range	50 - 60Hz			
Power consumption	1.5 - 4.5 VA			
Nominal current	60A	100A	300A	
Voltage measurement range	100 - 460V F-N			
Voltage accuracy	1% (PF = 1)			
Current accuracy	1% (PF = 1)			
Power accuracy	2% (PF = 1)			
<b>Physical and environmental features</b>	<b>LTP10</b>	<b>LTP16</b>	<b>LTP24</b>	<b>BOX</b>
Weight	61 g	91 g	200 g	125 g
External material	Self-extinguishing UNE 21031 90°C V0			
Operating temperature	-10 to 45°C			
Storage temperature	-40 to 85°C			
Relative humidity	10 - 90% (non-condensing)			
Protection rating	IP20			
<b>Communications</b>	<b>Wi-Fi</b>		<b>NB-IoT</b>	
Type	Wi-Fi (IEEE 802.11)		NB-IoT	
Protocol	HTTP, Modbus TCP, XML		IPv4/IPv6/UDP/TCP	
Frequency range	2,405 - 2,480 GHz		B1, B3, B8, B5, B20, B28	
Encryption	AES128		-	
Certification	FCC (USA), IC (Canada), ETSI (Europe)		GCF/CE/ATEX/JATE/KC/RCM/IMDA/NCC	

# Wibeee Box

## SKU codes

Code	Description	Current Max.
221324	LTP10 Clamp	60 A
2213201	LTP10 Clamp White	60 A
221325	LTP16 Clamp	100A
2213202	LTP16 Clamp White	100 A
221326	LTP24 Clamp	300A
999484	Splitter 2 to 1 **	-

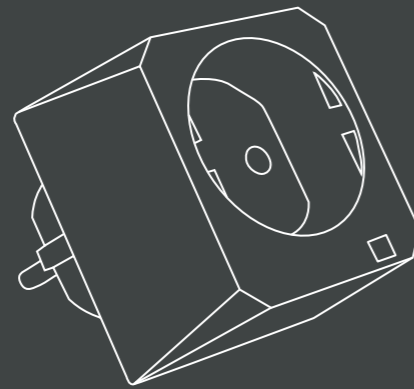
\*\* Commonly used in single phase 3 wire installations to join 2 clamps in one.

Code	Description	Installation	Communication
0800018	Wibeee Box 60A Black*	Single-phase	Wi-Fi
0800050	Wibeee Box 60A White*	Single-phase	Wi-Fi
0800023	Wibeee Box 100A*	Single-phase	Wi-Fi
0800024	Wibeee Box 300A *	Single-phase	Wi-Fi
0800074	Wibeee Box 60A White** (4CT's)	Single-phase 3W	Wi-Fi
0800073	Wibeee Box 60A White**	Single-phase 3W	Wi-Fi
0800103	Wibeee Box 100A White**	Single-phase 3W	Wi-Fi
0800091	Wibeee Box 300A White**	Single-phase 3W	Wi-Fi
0800025	Wibeee Box 60A***	Three-phase	Wi-Fi
0800097	Wibeee Box 60A White***	Three-phase	Wi-Fi
0800019	Wibeee Box 100A***	Three-phase	Wi-Fi
0800051	Wibeee Box 100A White***	Three-phase	Wi-Fi
0800026	Wibeee Box 300A***	Three-phase	Wi-Fi
0800064	Wibeee Box 60A *	Single-phase	NB-IoT
0800093	Wibeee Box 60A ***	Three-phase	NB-IoT
0800065	Wibeee Box 100A ***	Three-phase	NB-IoT
0800068	Wibeee Box 300A ***	Three-phase	NB-IoT

\* Wibeee Box single-phase units include 1pc. LTP10, LTP16, LTP24 CT's for 60A, 100A or 300A respectively.

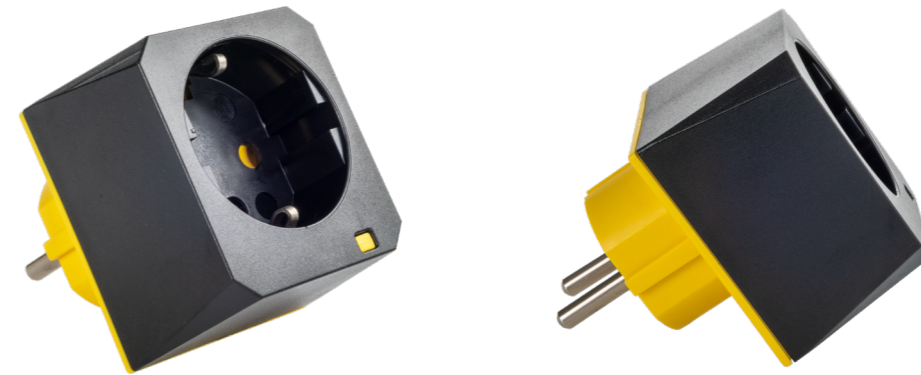
\*\* Wibeee Box single-phase 3W include 2pc. LTP10, LTP16, LTP24 CT's for 60A, 100A or 300A respectively.

\*\*\* Wibeee Box three-phase units include 3pc. LTP10 or LTP16 or LTP24 CT's for 60A,100A or 300A respectively.



## Wibeee Plug

Plug-in and command



- Real-time measurement.
- Easy "Plug-in" installation.
- Smart schedule to optimize its use.
- Integrated relay for a remote control.
- Historical data storage in local mode for up to one month in case of Internet connection loss.

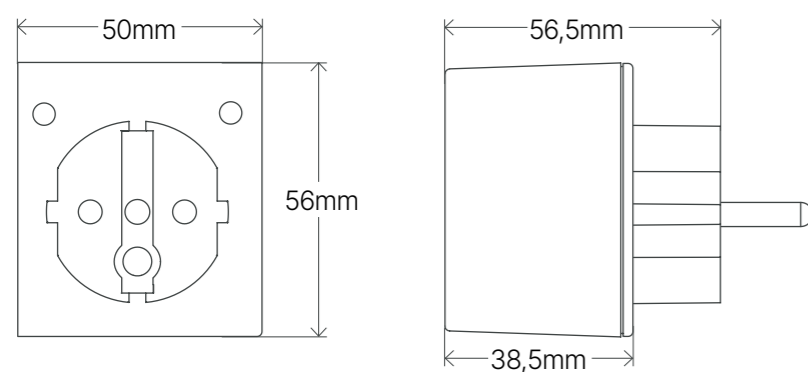
Wibeee Plug are plug-in electricity meters that monitor the individual consumption of any appliance or device connected to them.

It has an internal relay to switch the connected device on and off via the web platform or mobile app.



## Wibeee Plug

### Dimensions



## Wibeee Plug

### Technical features

#### Measurement circuit

Installation	Single-phase
Power supply	100 - 240V
Frequency range	50 - 60Hz
Power consumption	1.5 - 4.5 VA
Nominal current	10 A
Voltage accuracy	1% (PF = 1)
Current accuracy	1% (PF = 1)
Power accuracy	2% (PF = 1)

#### Physical and environmental features

Weight	87,5 g
External material	Self-extinguishing UNE 21031 90°C V0
Operating temperature	-10 to 45°C
Storage temperature	-40 to 85°C
Relative humidity	10 - 90% (non-condensing)
Protection rating	IP40

#### Communications

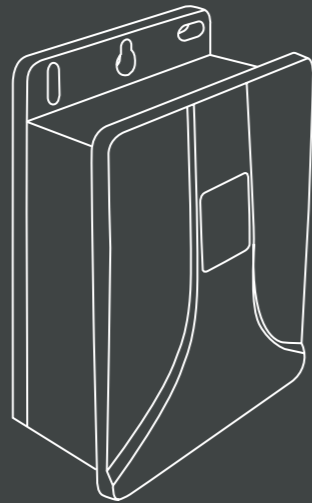
#### Wi-Fi

Type	Wi-Fi (IEEE 802.11)
Protocol	HTTP, Modbus TCP, XML
Frequency range	2,405 - 2,480 GHz
Encryption	AES128
Certification	FCC (USA), IC (Canada), ETSI (Europe)

# Wibeee Plug

## SKU codes

<b>Code</b>	<b>Description</b>	<b>Installation</b>	<b>Communication</b>
08000030	Wibeee Plug	Single-phase	Wi-Fi



## Wibeer Max

Highest accurate and versatile meter



- Real-time measurement.
- Single-phase and three-phase measurements.
- Historical data storage in local mode for up to one month in case of Internet connection loss.
- Industrial areas usage.
- Selection of scales (wide range of measurements).

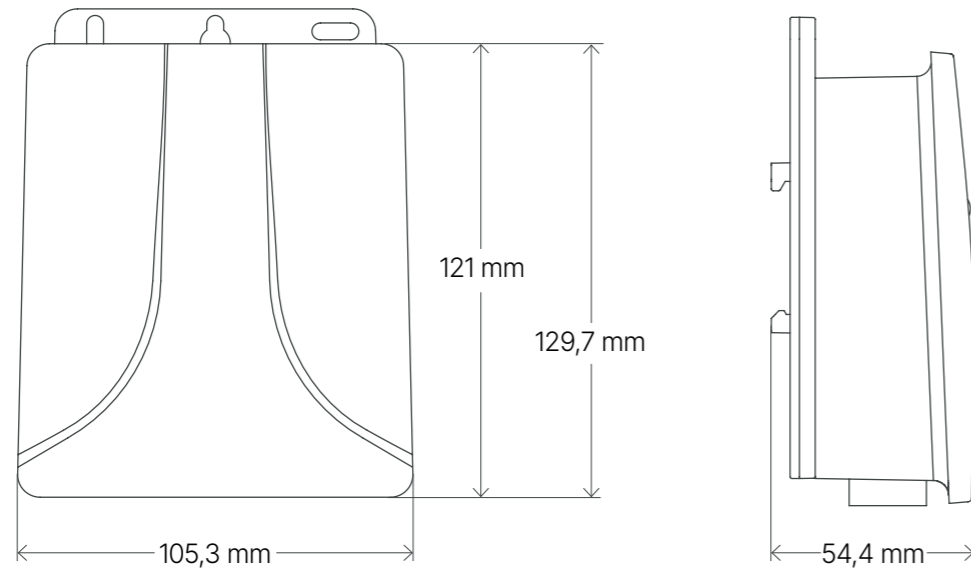
Wibeer Max is designed for use in industrial, commercial or office buildings for the sub-metering of three-phase lines for medium and high currents.

Installation requires no additional tools and can be magnetically attached to any metal panel, anchored with screws or mounted on DIN rail.

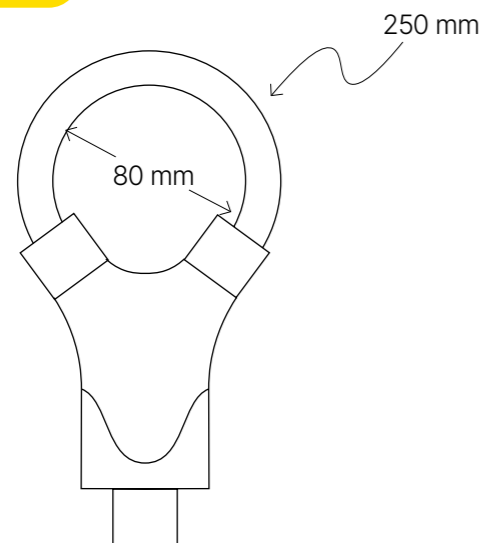
# Wibeee Max

## Dimensions

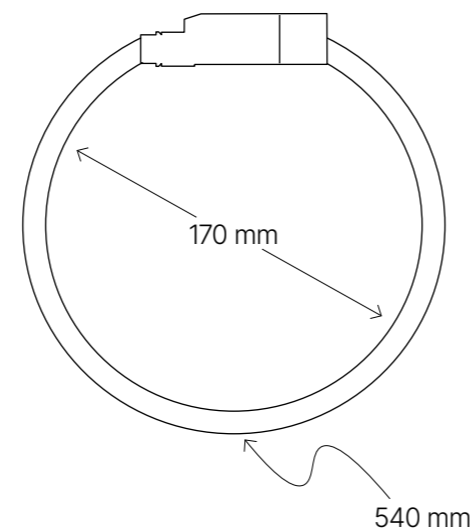
Max



AMS Flex 25



R Flex 54



# Wibeee Max

## Technical features

### Measurement circuit

Installation	Three-phase
Power supply	100 - 400V
Frecuency range	50 - 60Hz
Power consumption	4.5 - 9 VA
Voltage measurement range	85 - 750V F-N
Voltage accuracy	1% (PF = 1)
Current accuracy	1% (PF = 1)
Power accuracy	2% (PF = 1)

### Current sensor

	AMS Flex 25	R Flex 54
Measurement scale	350-700A	100-1k-5k A
Max. Conductor Ø	80 mm	170 mm

### Physical and environmental features

Weight	1700g
External material	Self-extinguishing UNE 21031 90°C V0
Operating temperature	-10 to 45°C
Storage temperature	-40 to 85°C
Relative humidity	5 - 95% (non-condensing)
Protection rating	IP20

### Communications

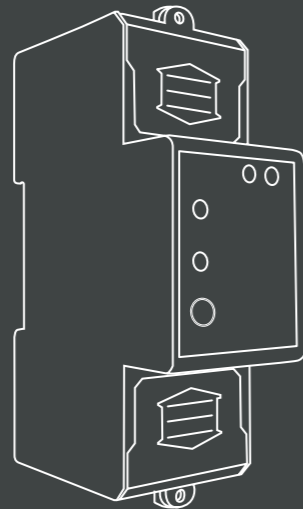
	Wi-Fi	NB-IoT
Type	Wi-Fi (IEEE 802.11)	NB-IoT
Protocol	HTTP, Modbus TCP, XML	IPv4 / IPv6 / UDP / TCP
Frecuency range	2,405 - 2,480 GHz	B1, B3, B8, B5, B20, B28
Encryption	AES128	-
Certification	FCC (USA), IC (Canadá), ETSI (Europa)	GCF/CE/ATEX/JATE/KC/RCM/IMDA/NCC

# Wibeee Max

## SKU codes

<b>Code</b>	<b>Description</b>	<b>Current Max.</b>	<b>Communication</b>
0800015	Wibeee Max	350 - 700 A	Wi-Fi
0800014	Wibeee Max Plus	100 - 1k - 5 kA	Wi-Fi
0800066	Wibeee Max	350 - 700 A	NB-IoT
0800067	Wibeee Max Plus	100 - 1k - 5 kA	NB-IoT

Wibeee Max products include 3 Rogowski coil AMS Flex 25 sensors and Wibeee Max Plus with 3 R Flex 54 sensors.



## Wibee Connect

Monitoring and control meter

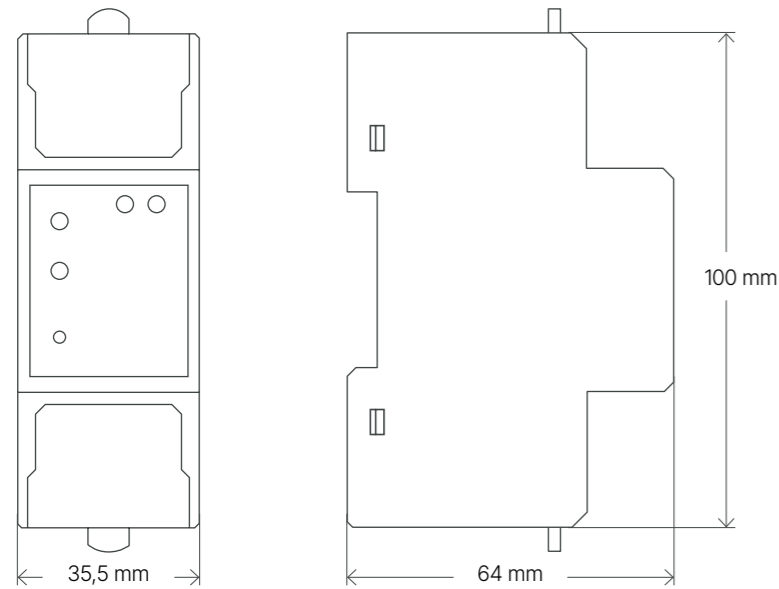


- Real-time measurement.
- Accuracy measures 62053-21 and 62053-23.
- Smart schedule to optimize its use.
- Integrated relay for a remote control.
- Industrial areas usage.

Wibee Connect meter provides electrical data acquisition in order to facilitate decision making when understanding electrical energy use. This meter is designed to be installed on a DIN rail and is completely integrated into the electrical panel as an additional module.

# Wibee Connect

## Dimensions



# Wibee Connect

## Technical features

### Measurement circuit

Installation	Single-phase
Power supply	110 - 265V AC
Frequency range	50 - 60Hz
Power consumption	4.5VA
Voltage measurement range	110 - 265V AC
Voltage accuracy	0,5% (PF = 1)
Current accuracy	0,5% (PF = 1)
Active power accuracy	Cl. 1
Reactive power accuracy	Cl. 2

### Physical and environmental features

Weight	170g
External material	Self-extinguishing V0 plastic (UNE 21031 90°C)
Operating temperature	-25 to 55°C
Storage temperature	-40 to 85°C
Relative humidity	10 - 90% (non-condensing)
Protection rating	IP40

Communications	Wi-Fi	Modbus
Type	Wi-Fi (IEEE 802.11)	RS485
Protocol	HTTP, Modbus TCP, XML	Modbus RTU
Frequency range	2,405 - 2,480 GHz	-
Encryption	AES128	-
Certification	FCC (USA), IC (Canada), ETSI (Europe)	-

# Wibeee Connect

## SKU codes

<b>Code</b>	<b>Description</b>	<b>Installation</b>	<b>Communication</b>
0800099	Wibeee Connect	Single-phase	63A



**Smilics Technologies®**  
Overview of product line

# Product line

## Wibeee

Code	Description	Installation	Communication
0800042	Wibeee One 2W	Single-phase	Wi-Fi
0800021	Wibeee One 3W	Three-phase	Wi-Fi
0800008	Wibeee One 4W NL	Three-phase NL	Wi-Fi
0800007	Wibeee One 4W NR	Three-phase NL	Wi-Fi

Code	Description	Installation	Communication
0800018	Wibeee Box 60A Black*	Single-phase	Wi-Fi
0800050	Wibeee Box 60A White*	Single-phase	Wi-Fi
0800023	Wibeee Box 100A*	Single-phase	Wi-Fi
0800024	Wibeee Box 300A *	Single-phase	Wi-Fi
0800074	Wibeee Box 60A White** (4CT's)	Single-phase 3W	Wi-Fi
0800073	Wibeee Box 60A White**	Single-phase 3W	Wi-Fi
0800103	Wibeee Box 100A White**	Single-phase 3W	Wi-Fi
0800091	Wibeee Box 300A White**	Single-phase 3W	Wi-Fi
0800025	Wibeee Box 60A***	Three-phase	Wi-Fi
0800097	Wibeee Box 60A White***	Three-phase	Wi-Fi
0800019	Wibeee Box 100A***	Three-phase	Wi-Fi
0800051	Wibeee Box 100A White***	Three-phase	Wi-Fi
0800026	Wibeee Box 300A***	Three-phase	Wi-Fi
0800064	Wibeee Box 60A *	Single-phase	NB-IoT
0800093	Wibeee Box 60A ***	Three-phase	NB-IoT
0800065	Wibeee Box 100A ***	Three-phase	NB-IoT
0800068	Wibeee Box 300A ***	Three-phase	NB-IoT

Code	Description	Current Max.
221324	LTP10 Clamp	60 A
2213201	LTP10 Clamp White	60 A
221325	LTP16 Clamp	100A
2213202	LTP16 Clamp White	100 A
221326	LTP24 Clamp	300A
999484	Splitter 2 to 1 **	-

Code	Description	Installation	Communication
08000030	Wibeee Plug	Single-phase	Wi-Fi

Code	Description	Current Max.	Communication
0800015	Wibeee Max	350 - 700 A	Wi-Fi
0800014	Wibeee Max Plus	100 - 1k - 5 kA	Wi-Fi
0800066	Wibeee Max	350 - 700 A	NB-IoT
0800067	Wibeee Max Plus	100 - 1k - 5 kA	NB-IoT

Code	Description	Installation	Communication
0800099	Wibeee Connect	Single-phase	63A

Offices: Carrer Baldrich, nº 222 - 226  
Warehouse: Carrer Lepanto, nº 43

08223 - Terrassa, Barcelona (Spain)  
(+34) 935 15 85 48

[info@smilics.com](mailto:info@smilics.com)  
[www.smilics.com](http://www.smilics.com)

**Smilics Technologies®**  
Terms and conditions

# General Sales Terms (Annex I)

## Smilics Technologies®

These terms are applicable to all purchase orders made to Smilics Technologies, S.L.© from now on the Seller.

### 1. Overview

- 1.1. The Buyer accepts all and each one of the clauses of these Terms, except those ones that might be modified by an agreement in written with the Seller.
- 1.2. Validity of our offers will expire in 3 months, unless otherwise specified.
- 1.3. Orders made by the Buyer and received by the Seller cannot be cancelled, unless agreed by the parties in written.
- 1.4. Technical data included or attached (like drawings, catalogues, ...), in our offers are approximate. All technical information is property of the Seller, being prohibited its reproduction, copy or its submittal to third parties without prior written consent from the Seller.
- 1.5. Any obligation from the Seller derived from the commercial relationship, even those agreed against or additionally to these Terms, will be considered prescribed after 12 months from delivery of goods in case the Buyer has not exercised its rights during such time.

### 2. Price

- 2.1. Price being offered should always be considered EXW Exworks (INCOTERMS) with standard packing included, unless otherwise stated in the written offer by the Seller.
- 2.2. Validity of our offers is the one stated in clause 1.2, after which prices can be reviewed if costs change.
- 2.3. The Buyer is solely responsible for the collection, remittance, and payments of any or all taxes, charges, levies, assessments imposed by governmental or other authority in the Territory in respect of the purchase order, transfer of the property, possession of the goods and use of the same.
- 2.4. Prices detailed on the Seller's offer are "Net prices excluding VAT".

### 3. Delivery

- 3.1. With the notice of availability of goods from the Seller to the Buyer, delivery will be considered as completed. Once delivery is made, either partially or totally, property of the delivered goods, as well as its risks of loss or damage, are transferred to the Buyer. Unless otherwise stated by the Seller, it will be allowed to make anticipated deliveries to the agreed delivery time as well as partial deliveries. The notice of availability or a partial delivery, implies acceptance by the Buyer of the corresponding Invoice.
- 3.2. Agreed delivery time will start to count upon the Seller's acknowledge receipt of the purchase order, including all technical and commercial conditions agreed. In case, there is required an advance payment with the acknowledge receipt of the Purchase Order, delivery time will not start to count until the Seller acknowledges payment receipt in his account.
- 3.3. Delivery time will be increased, without any responsibility for the Seller, for the same time lost in a force majeure event, understanding as such all events that are not predictable or that even being predictable they are unavoidable, as well as any circumstance not within the Seller's reasonable control including, without limitation: delays or rejection of components, materials or official documents, or impossibility to get human labour resources or transport. This increasement of the delivery time can happen even after there have been delays, in the same order, for other reasons.
- 3.4. The Seller has the right to delay the delivery or increase the agreed delivery time, in case that in the agreed date, the Buyer has not completed advanced payments or partial payments agreed, as well as by changes on the product characteristics required by the Buyer, after having sent the Purchase Order.

3.5. If delivery cannot be made due to causes like the ones reflected in point 3.1, the Seller can put the goods in a deposit or warehouse after 15 days from the notice of availability. In this case, it will be considered as complied the obligations of the Seller and the property and risk that are indicated in point 3.1 will be transferred to the Buyer. At the same time, the Buyer will be bound to assume the costs of that deposit or warehouse.

3.6. In case of having accepted in written by the Seller any penalty for delays in the delivery of the goods, it cannot be claimed by the Buyer if he cannot demonstrate irrefutably having suffered real prejudice.

### 4. Payment and property reserve

- 4.1. Payments will be made for the stipulated price and date agreed in written. In case of postponing or delaying payment, the Seller reserves the right to claim for interests for late payment.
- 4.2. If the total price of the supply is not totally paid when delivering the goods, the sale will be understood as made with domain/property reserve and such reserve of the property of the goods will remain until there is no pending amount.
- 4.3 Payment terms to be confirmed by COFACE risk coverage upon receipt of the firm purchase order.

### 5. Packing, transport and insurance

5.1. Special packaging different from the standard one, transport and insurance are not included in the Seller's price unless otherwise stated in the written offer made by the Seller.

### 6. Warranty

6.1. It will be applicable what has been defined on the Seller's Product warranty terms in ANNEX II.

### 7. Technical and commercial documentation

7.1. Any technical document (manuals, datasheets, drawings, ...) or commercial document (offer, conditions, ...) provided by the Seller should be treated by the Buyer as confidential information, being prohibited its reproduction, copy or its submittal to third parties without prior written consent from the Seller.

### 8. Limitation of liability

8.1. Seller's liabilities including its subcontracted companies, for any contractual claim or extra-contractual claim derived from this contract, will be limited to the Price of the product, service or component that was the origin of the claim.

### 9. Governing law - Jurisdiction

- 9.1. These Terms and all actions and settlements arising from them, as well as the rights and obligations of the parties, shall be administered and construed in accordance with Spanish laws.
- 9.2. Any dispute between the parties arising out of these Terms shall be resolved without recourse to the courts and according to the Arbitration Rules of the Arbitration Centre of the Chamber of Commerce of Barcelona by one or more arbitrators appointed in accordance with such rules. The place of arbitration shall be Barcelona (Spain) and the language of arbitration shall be English.

### 10. Validity

10.1. These General Sales Terms are applicable for all those points where there is not a contrary written agreement. Any Buyer's conditions which might be in contradiction with these General Sales Terms, will only be valid, if the Seller has accepted them in written.

# Warranty Agreement and Return Conditions (Annex II)

## Smilics Technologies®

Smilics Technologies, S.L. © hereinafter SMILICS, commits to take charge of every product supplied with a malfunction caused either by its design or manufacturing, within the terms detailed in the following agreement.

### 1. Terms and conditions to exercise warranty rights

1.1. SMILICS will take care of the defects observed as soon as possible, using the means considered most appropriate, assuming the costs derived from it.

1.2. Products replaced will become SMILICS' property and must be returned as soon as requested.

1.3 Warranty will be put in practice by SMILICS at its own option, either by providing a replacement product, or by repairing the same. For this purpose, the return of the defective product to SMILICS' facilities, must be completed within the next 30 calendar days from the moment, it is declared defective; SMILICS shall assume the shipping costs for the replacement or those that have been repaired. Failure by the Buyer to comply with the aforementioned 30-day period for returning the allegedly defective product, will allow SMILICS to invoice the replacement product or the cost of the repair.

1.4 Warranty does not cover, under any circumstances, expenses related to searching for the defective element in a facility, nor disassembling and assembling in the site where they were installed. If, due to the nature of the products, the repair has to be carried out at the site, SMILICS will bear the labor costs related to such repair (except for those derive from the waiting time likewise expenses incurred due to products not being available at that moment).

1.5. No return will be accepted, nor will any credit be effective for any material which was not purchased directly by the Buyer from SMILICS. In order to guarantee this point, the Buyer shall always provide detail of the corresponding sales invoice as well as product tracking with the same.

1.6. Repairs are subject to all Buyers with residence within Spain, Portugal, Balearic Islands, Ceuta and Melilla. Any other location outside the Iberian Peninsula will be subject to previous quotation.

1.7. SMILICS will not accept returns of products declared obsoletes, discontinued, used, or installed, nor subjected to disassembly or any other manipulations which prevent it from offering the mentioned warranty for their normal use.

### 2. Warranty exclusions

2.1. SMILICS's responsibility is limited to repairing or replacing the affected products as long as they were not manipulated by unauthorized personnel. Neither when the use case specifications for such

product, have not been met.

2.2. Products shall be installed and connected correctly according to SMILICS instructions and specifications, as well as all current Electrical and Safety regulations. This warranty does not indemnify the Buyer for complaints regarding property damage due to loss of operations, services nor profits.

2.3. SMILICS' warranty does not cover accessories, parts, pieces, or fittings other than those supplied by SMILICS.

2.4. Warranty is exclusive. No person nor entity is authorized to change, add, or create any warranty or obligation other than that as set forth herein for products manufactured and supplied by SMILICS.

### 3. Return process

3.1. The Buyer will have to contact SMILICS within a maximum of 30 calendar days from the detection of the defect either by phone +34 93 515 85 48 or by e-mail at support@smilics.com in order to obtain "SMILICS' return authorization number".

3.2. The Buyer will return the defective product to SMILICS.

3.3 SMILICS will return the repaired product to the customer or replace it.

### 4. Warranty period

4.1. Warranty described herein, will be applicable for a maximum period of 2 years or as dictated by the law on the sale of consumer goods.

4.2. Warranty period will be effective from the purchase invoice date, or the corresponding delivery date, in case it happens later.

4.3. Product reparation will not extend its initial warranty period. However, a 6-month warranty period will apply and replace the initial period for all purposes, starting from the date of repair.

4.4. The right to complain will expire 3 years after product delivery.

4.5. Buyer must inform SMILICS about the lack of conformity within 2 months after becoming aware of it.

### 5. Smilics Liabilities

5.1. SMILICS will be accountable before the Buyer for any lack of conformity encountered at the time of delivering the goods.

5.2. If the delivered product is found defective, Buyer may choose to repair or replace it, unless one of both options is impossible or disproportionate.

5.3. Repairs or replacements will be free of charge for the Buyer, including either transportation or materials costs, as long as products are under warranty.

### 6. Buyer liabilities

6.1. In order to benefit from this warranty, Buyer must provide before SMILICS, full detail of the defect attributable to the product, as soon as it is detected. Likewise, all related documents to justify such defect, so that SMILICS can run the corresponding checkings to apply what's committed under these warranty terms.

6.2. Unless previously agreed with SMILICS, Buyer may under no circumstances, carry out repairs on his own or through third parties. This will void any product warranty.

6.3. If the return authorization has not been requested by the Buyer, after a period of 2 months from the date of purchase, it will be understood that Buyer will no longer be able to use the right by withdrawal.

### 7. Governing law - Jurisdiction

7.1. These Terms as well as all actions and settlements arising from them, including the rights and obligations of the parties, shall be administered, and construed in accordance with Spanish laws.

7.2. Any dispute between the parties arising out of these Terms shall be resolved without recourse to the courts and according to the Arbitration Rules of the Arbitration Center of the Chamber of Commerce of Barcelona, by one or more arbitrators appointed in accordance with such rules. The place of arbitration shall be Barcelona (Spain) and the language of arbitration shall be English.

### 8. General data protection (GDPR)

8.1. Responsible: SMILICS TECHNOLOGIES, S.L.

8.2. Purpose limitation: to prepare the requested budget.

8.3. Storage limitation: for as long as the stakeholder does not request for its removal.

8.4. Recipients: no data will be transferred to third parties except for legal obligation.

8.5. Rights: you can exercise in writing the rights of access, rectification, deletion, limitation, opposition and portability, accompanied by a copy of an official document that identifies you, addressed to the Controller at the following address: C/Baldrich, 222-226 Terrassa (08223) Barcelona-CAT or by e-mail: rgpd@smilics.com . In case, of disagreement with the treatment, you can also have the right to file a claim with the Spanish Data Protection Agency (www.aepd.es).